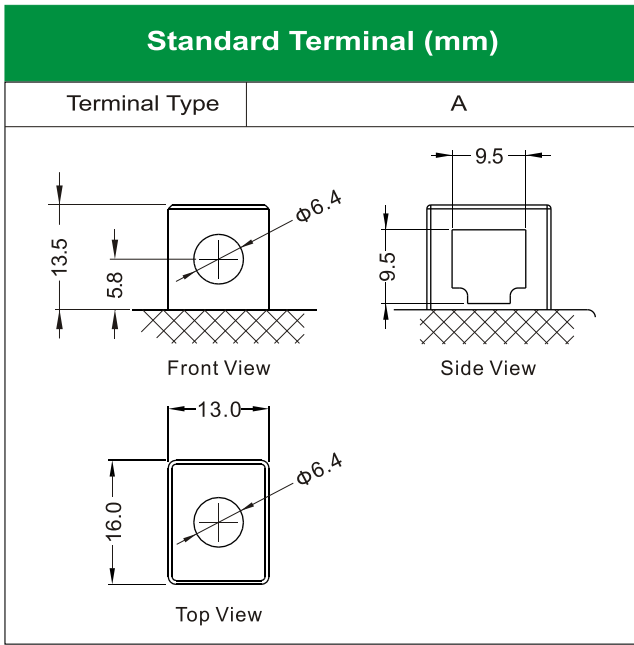
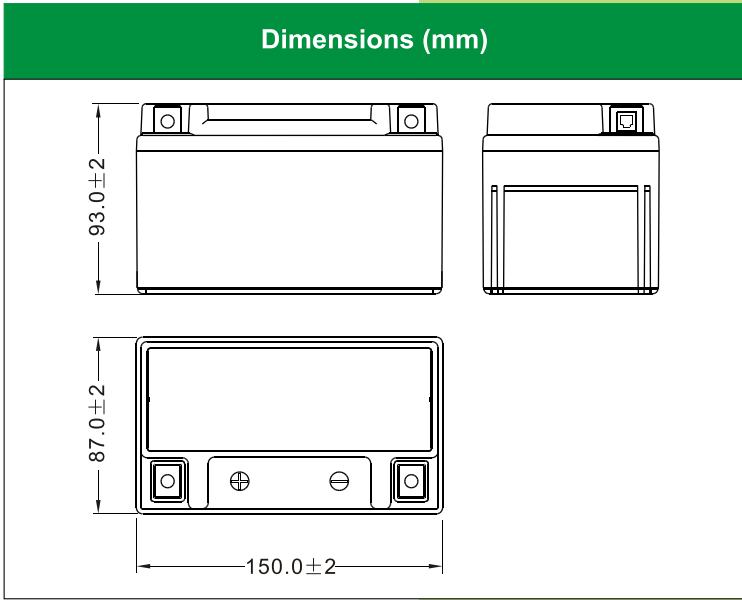


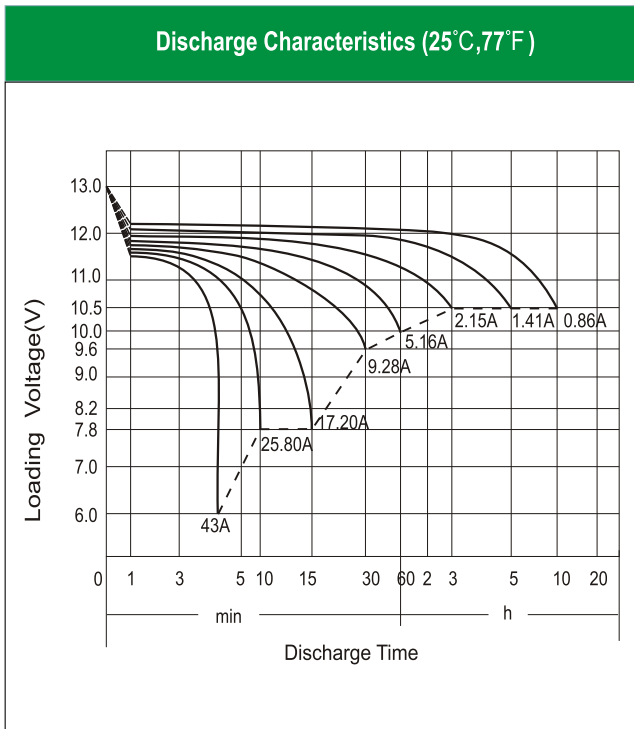
# LTZ10-4 [12V8.6Ah]



### Physical Specification

Nominal Voltage	12V	
Nominal Capacity (10HR)	8.6AH	
Dimension	Length	150±2mm (5.91 inches)
	Width	87±2mm (3.43 inches)
	Container Height	93±2mm (3.66 inches)
	Total Height (with Terminal)	93±2mm (3.66 inches)
Weight	Battery(with acid): Approx 2.86kg (6.30lbs)	
	Electrolyte: Approx 0.50kg (1.10lbs)	

- \* Sealed and non-spillable AGM battery
- \* Maintenance-free
- \* Powerful 190 cold cranking amps
- \* Shipped pre-charged and ready to install
- \* Replaces EBZ10-BS battery



### Electrical Specification

Rated Capacity	10 hour rate (0.86 A)	8.60AH
	5 hour rate ( 1.41 A)	7.05AH
	2 hour rate (3.01 A)	6.02AH
	1 hour rate (5.16 A)	5.16AH
	0.5 hour rate (9.28 A)	4.64AH
Capacity affected by Temperature	40 °C ( 104 °F)	106%
	25 °C ( 77 °F)	100%
	0 °C ( 32 °F)	86%
	-15 °C ( 5 °F)	65%
Self Discharge	Approximately 3% per month (25°C (77°F))	
Charging Methods	Full Charge	Constant-Voltage Charge: Initial charging current: less than 2.58A Voltage: 14.40 V ~ 15.00 V at 25 °C (77 °F) Charging time: 15 ~18h Constant-Current Charge: Charging current: 0.1C <sub>10</sub> =0.86A, when charging voltage up to 14.40V, continue to charge 4h
	Floating Charge	No limit on Initial charging current Voltage: 13.50 V ~ 13.80 V at 25 °C (77 °F)