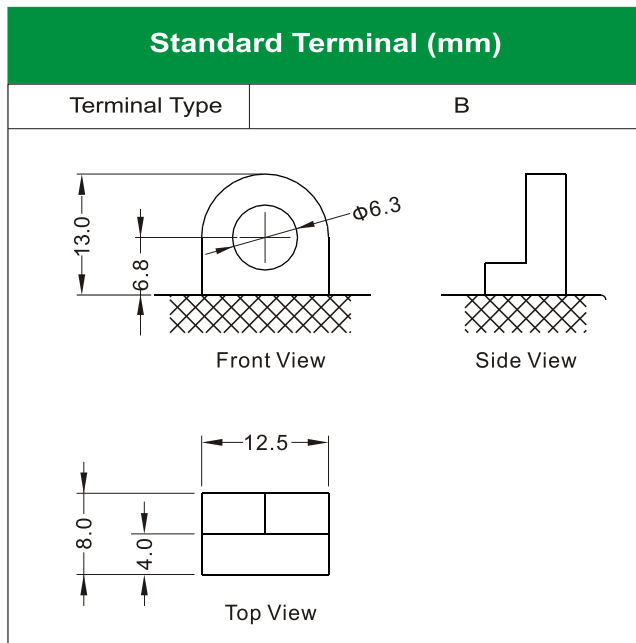
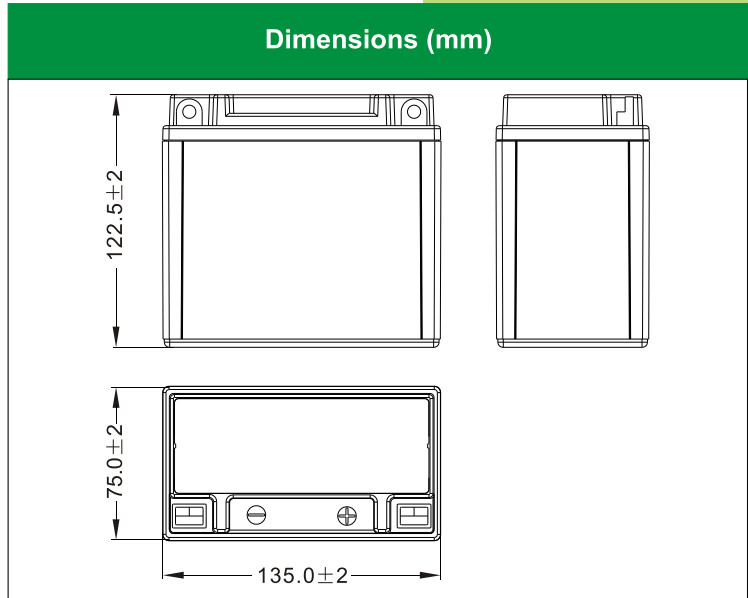


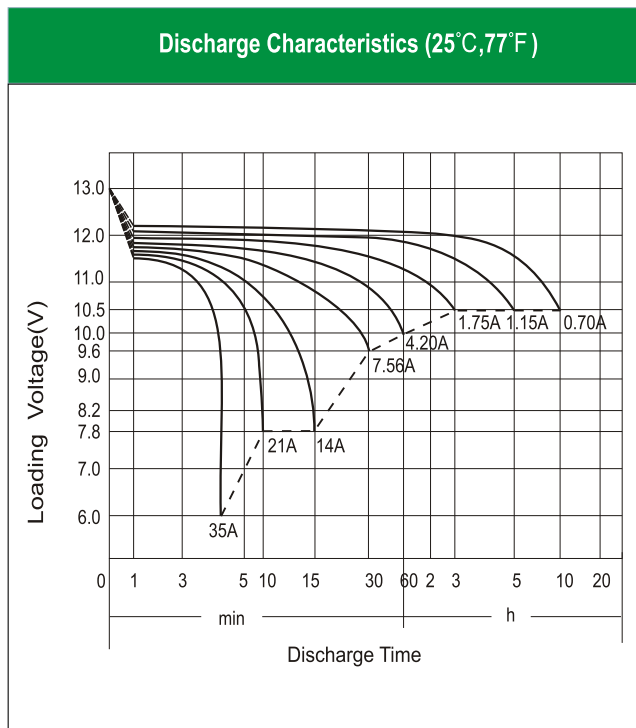
LT7E-3 [12V7Ah]



Physical Specification

| | | |
|-------------------------|---|---------------------------|
| Nominal Voltage | 12V | |
| Nominal Capacity (10HR) | 7AH | |
| Dimension | Length | 135 ± 2mm (5.31 inches) |
| | Width | 75 ± 2mm (2.95 inches) |
| | Container Height | 122.5 ± 2mm (4.82 inches) |
| | Total Height (with Terminal) | 122.5 ± 2mm (4.82 inches) |
| Weight | Battery(with acid): Approx 2.78kg (6.12lbs) | |
| | Electrolyte: Approx 0.52kg (1.15lbs) | |

- * Sealed and non-spillable AGM battery
- * Maintenance-free
- * Powerful 90 cold cranking amps
- * Shipped pre-charged and ready to install
- * Replaces none battery



Electrical Specification

| | | |
|----------------------------------|--|---|
| Rated Capacity | 10 hour rate (0.70 A) | 7.0AH |
| | 5 hour rate (1.15 A) | 5.74AH |
| | 2 hour rate (2.45 A) | 4.90AH |
| | 1 hour rate (4.20 A) | 4.20AH |
| | 0.5 hour rate (7.56 A) | 3.78AH |
| Capacity affected by Temperature | 40 °C (104 °F) | 106% |
| | 25 °C (77 °F) | 100% |
| | 0 °C (32 °F) | 86% |
| | -15 °C (5 °F) | 65% |
| Self Discharge | Approximately 3% per month (25°C (77°F)) | |
| Charging Methods | Full Charge | Constant-Voltage Charge: Initial charging current: less than 2.1A Voltage: 14.40 V ~ 15.00 V at 25 °C (77 °F) Charging time: 15 ~18h Constant-Current Charge: Charging current: 0.1C ₁₀ =0.70A, when charging voltage up to 14.40V, continue to charge 4h |
| | Floating Charge | No limit on Initial charging current Voltage: 13.50 V ~ 13.80 V at 25 °C (77 °F) |