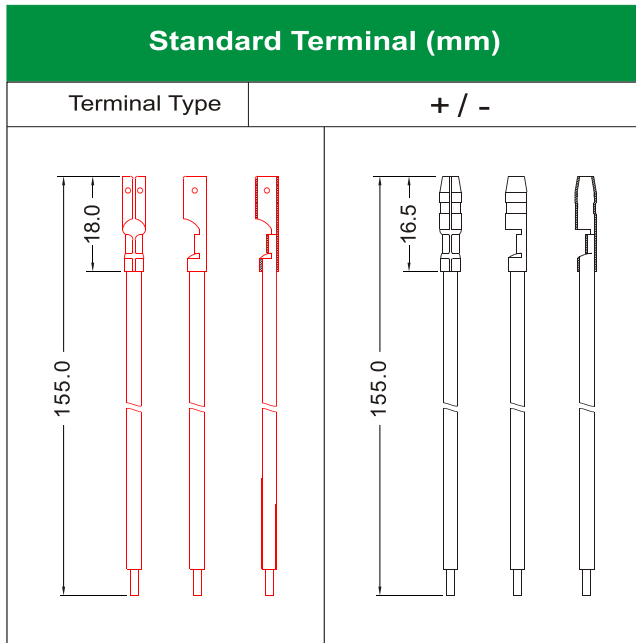
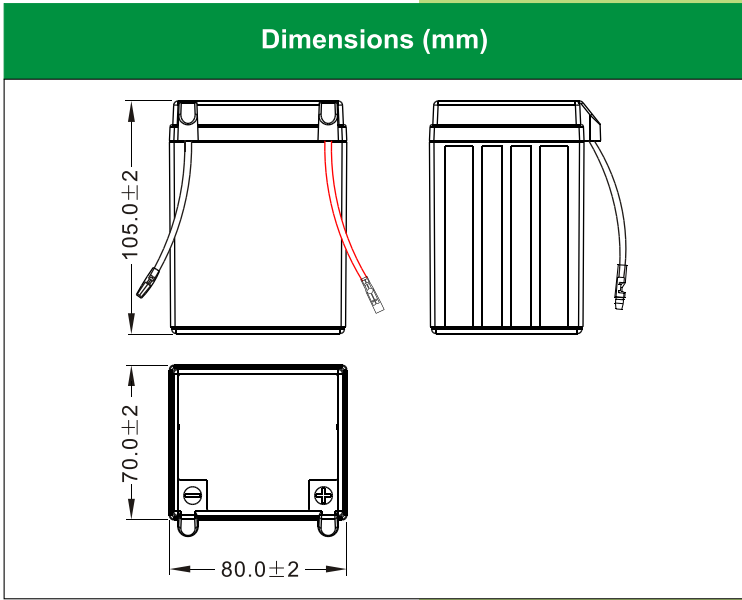


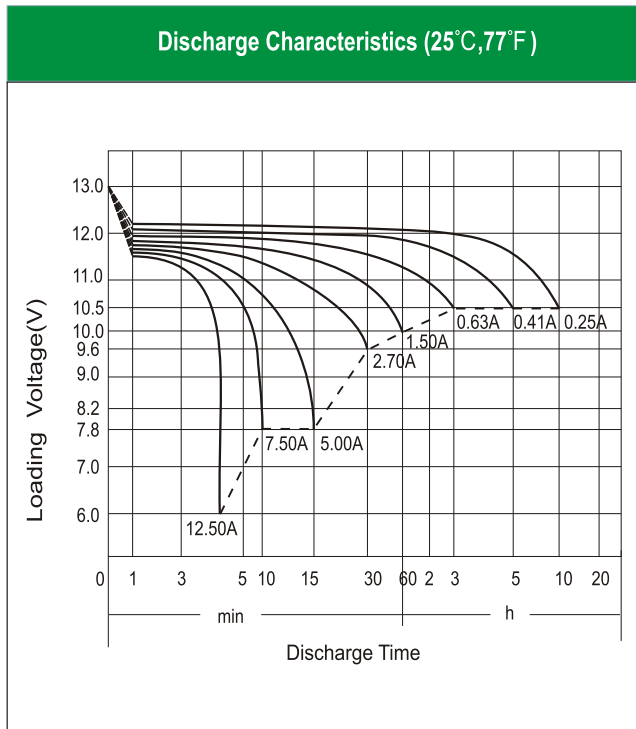
# LT2.5-3-2 [12V2.5Ah]



**Physical Specification**

|                         |   |                         |
|-------------------------|---|-------------------------|
| Nominal Voltage         | 12V   |                         |
| Nominal Capacity (10HR) | 2.5AH                                       |                         |
| Dimension               | Length                                      | 80 ± 2mm (3.15 inches)  |
|                         | Width                                       | 70 ± 2mm (2.76 inches)  |
|                         | Container Height                            | 105 ± 2mm (4.13 inches) |
|                         | Total Height (with Terminal)                | 105 ± 2mm (4.13 inches) |
| Weight                  | Battery(with acid): Approx 1.04kg (2.29lbs) |                         |
|                         | Electrolyte: Approx 0.24kg (0.53lbs)        |                         |

- \* Sealed and non-spillable AGM battery
- \* Maintenance-free
- \* Powerful 20 cold cranking amps
- \* Shipped pre-charged and ready to install
- \* Replaces none battery



**Electrical Specification**

|                                  |  |  |
|----------------------------------|--|--|
| Rated Capacity                   | 10 hour rate (0.25 A)                    | 2.50AH   |
|                                  | 5 hour rate (0.41 A)                     | 2.05AH   |
|                                  | 2 hour rate (0.88 A)                     | 1.75AH   |
|                                  | 1 hour rate (1.50 A)                     | 1.50AH   |
|                                  | 0.5 hour rate (2.70 A)                   | 1.35AH   |
| Capacity affected by Temperature | 40 °C (104 °F)                           | 106%   |
|                                  | 25 °C (77 °F)                            | 100%   |
|                                  | 0 °C (32 °F)                             | 86%  |
|                                  | -15 °C (5 °F)                            | 65%  |
| Self Discharge                   | Approximately 3% per month (25°C (77°F)) |  |
| Charging Methods                 | Full Charge                              | Constant-Voltage Charge:<br>Initial charging current: less than 0.75A<br>Voltage: 14.40 V ~ 15.00 V at 25 °C (77 °F)<br>Charging time: 15 ~18h<br>Constant-Current Charge:<br>Charging current: 0.1C <sub>10</sub> =0.25A, when charging voltage up to 14.40V, continue to charge 4h |
|                                  | Floating Charge                          | No limit on Initial charging current<br>Voltage: 13.50 V ~ 13.80 V at 25 °C (77 °F)  |