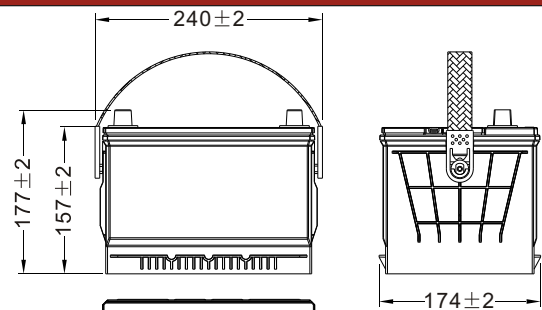


### Physical Specification (mm)

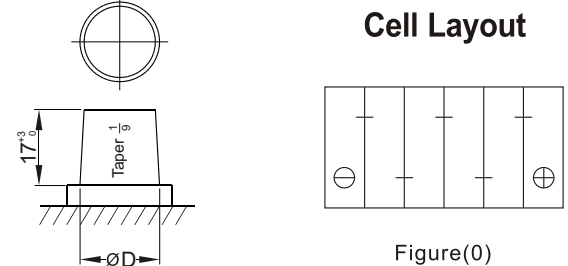
Nominal Voltage		12V
Nominal Capacity(20HR)		55Ah
Dimension	Length	240±2mm(9.45inches)
	Width	174±2mm(6.85inches)
	Container Height	157±2mm(6.18inches)
	Total Height(with Terminal)	177±2mm(6.97inches)
Weight With Acid		Approx 13.6Kg(30.0lbs)
Acid		1.280±0.015g/cm <sup>3</sup> (25°C)
Standard Terminal		1
Cell layout		0
Hold-Down		B1
Case		Black-Material (PP)
Cover		Black-Material (PP)
Handle		Black-Material (Nylon)



### Dimensions (mm)



### Cell Layout



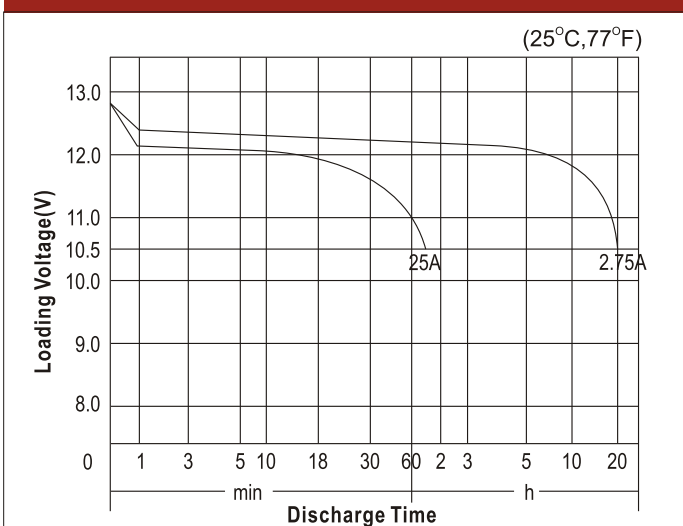
### Electrical Specification

Rated Capacity	20 hour rate(2.75A)	55Ah
Reserve Capacity (CA)25A@10.5V		88min
Cold Cranking Performance Amps(CCA) @0°F(-18°C)		550A

### Standard Terminal (mm)

Terminal Type	D	
	Positive	Negative
1	19.5 <sup>0</sup> <sub>-0.3</sub>	17.9 <sup>0</sup> <sub>-0.3</sub>

### Discharge Characteristics



### Discharge Characteristics

