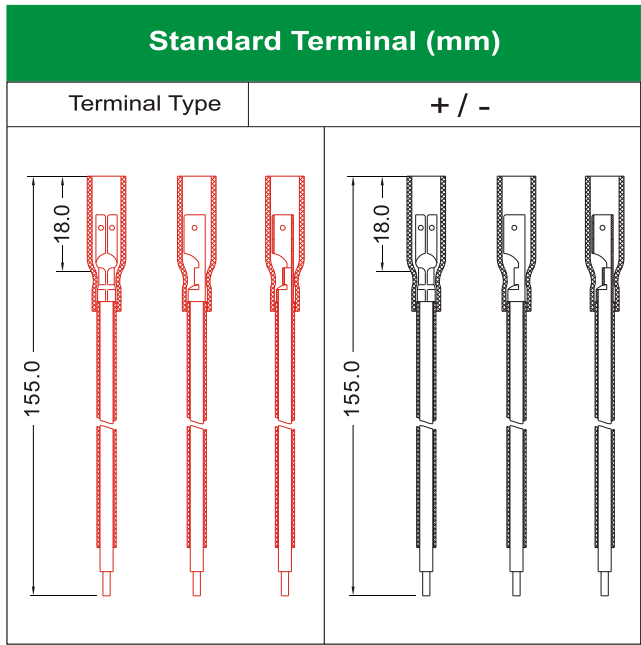
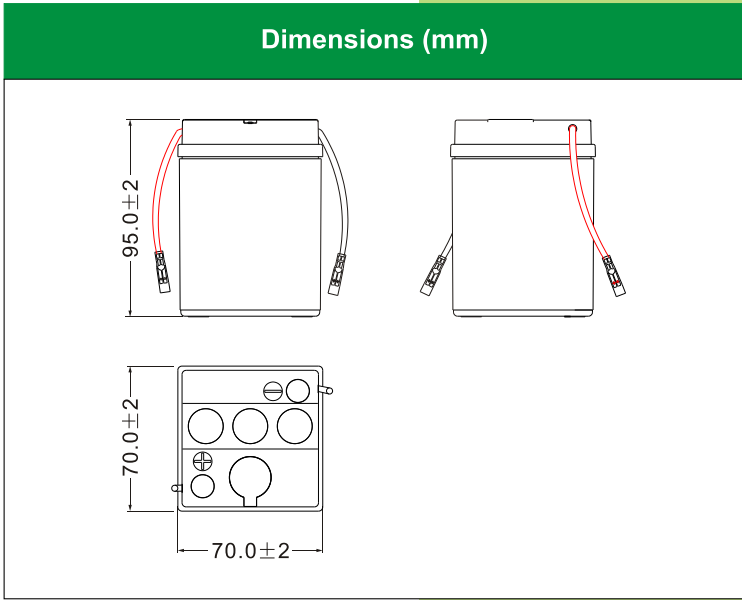


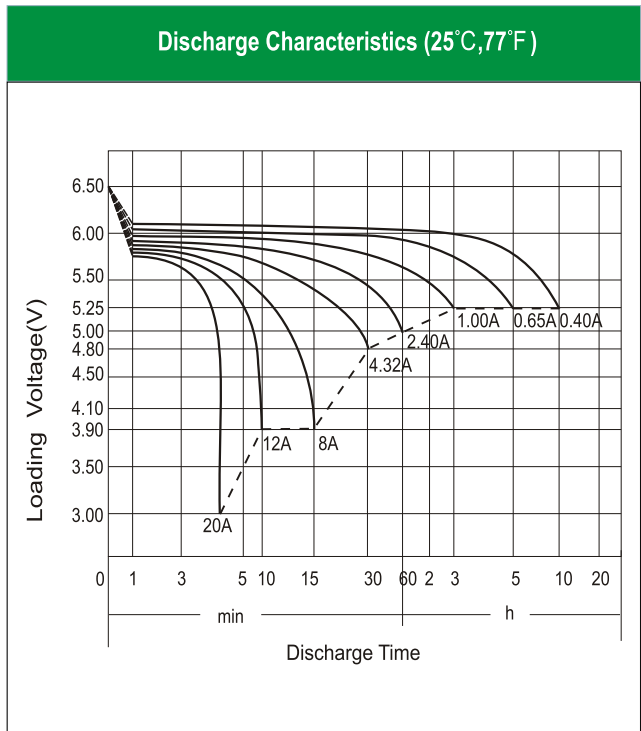
6LT4-BS (6V4Ah)



Physical Specification

| | | |
|-------------------------|---|------------------------|
| Nominal Voltage | 6V | |
| Nominal Capacity (10HR) | 4AH | |
| Dimension | Length | 70 ± 2mm (2.76 inches) |
| | Width | 70 ± 2mm (2.76 inches) |
| | Container Height | 95 ± 2mm (3.74 inches) |
| | Total Height (with Terminal) | 95 ± 2mm (3.74 inches) |
| Weight | Battery(with acid): Approx 0.84kg (1.85lbs) | |
| | Electrolyte: Approx 0.17kg (0.37lbs) | |

- * Sealed and non-spillable AGM battery
- * Maintenance-free
- * Shipped pre-charged and ready to install
- * Replaces / upgrade for 6LT4-2



Electrical Specification

| | | |
|----------------------------------|--|--|
| Rated Capacity | 10 hour rate (0.40 A) | 4.0AH |
| | 5 hour rate (0.65 A) | 3.28AH |
| | 2 hour rate (1.40 A) | 2.80AH |
| | 1 hour rate (2.40 A) | 2.40AH |
| | 0.5 hour rate (4.32 A) | 2.16AH |
| Capacity affected by Temperature | 40 °C (104 °F) | 106% |
| | 25 °C (77 °F) | 100% |
| | 0 °C (32 °F) | 86% |
| | -15 °C (5 °F) | 65% |
| Self Discharge | Approximately 3% per month (25°C (77°F)) | |
| Charging Methods | Full Charge | Constant-Voltage Charge: Initial charging current: less than 1.2A Voltage: 7.20 V ~ 7.50 V at 25 °C (77 °F) Charging time: 15 ~18h Constant-Current Charge: Charging current: 0.1C ₁₀ =0.40A, when charging voltage up to 7.20V, continue to charge 4h |
| | Floating Charge | No limit on Initial charging current Voltage: 6.75 V ~ 6.90 V at 25 °C (77 °F) |