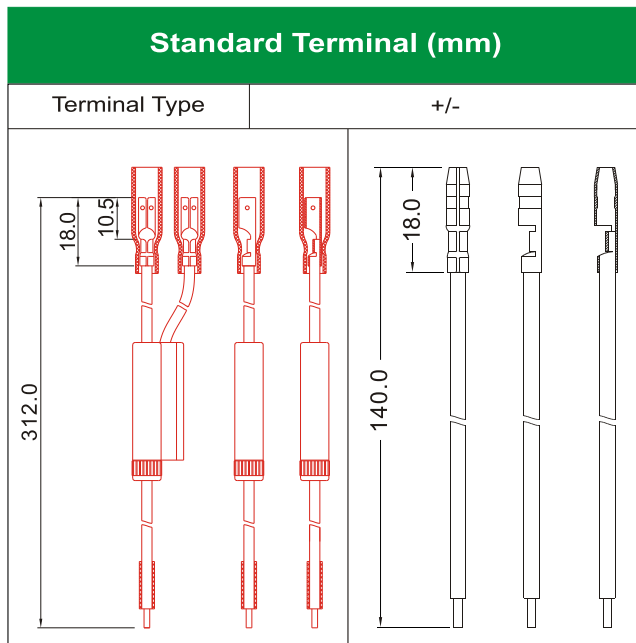
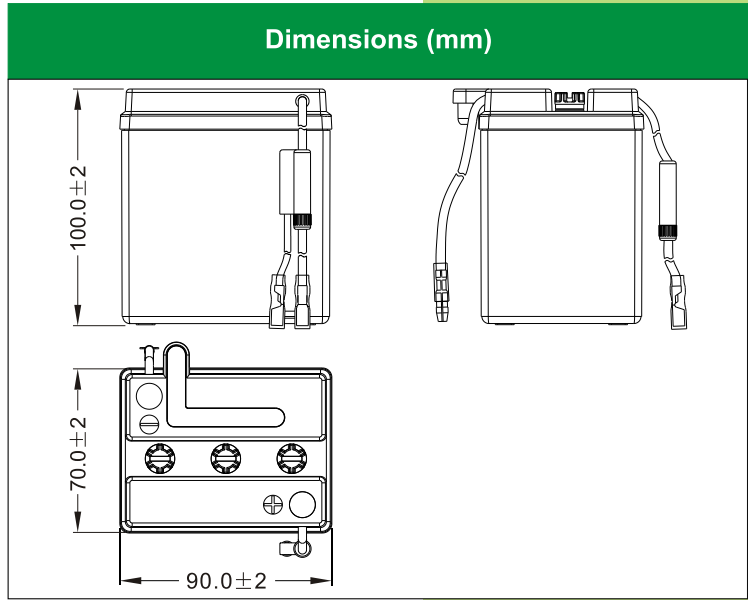


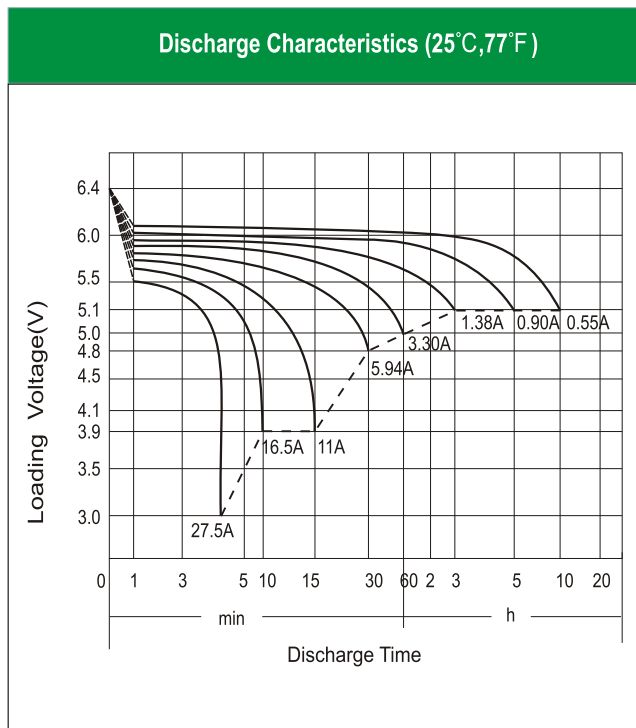
# 6N5.5-1D-1 (6V5.5Ah)



**Physical Specification**

Nominal Voltage	6V	
Nominal Capacity (10HR)	5.5AH	
Dimension	Length	90 ± 2mm (3.54 inches)
	Width	70 ± 2mm (2.76 inches)
	Container Height	100 ± 2mm (3.94 inches)
	Total Height (with Terminal)	100 ± 2mm (3.94 inches)
Weight	Battery(with acid): Approx 1.17kg (2.58lbs)	
	Electrolyte: Approx 0.35kg (0.77lbs)	

- \* High performance and dry charged high quality and flooded battery
- \* Low maintenance
- \* Shipped without battery electrolyte pre-charged and ready to install
- \* Replaces none battery



**Electrical Specification**

Rated Capacity	10 hour rate (0.55A)	5.50AH
	5 hour rate (0.90 A)	4.51AH
	2 hour rate (1.93 A)	3.85AH
	1 hour rate (3.30 A)	3.30AH
	0.5 hour rate (5.94 A)	2.97AH
Capacity affected by Temperature	40 °C (104 °F)	106%
	25 °C (77 °F)	100%
	0 °C (32 °F)	86%
	-15 °C (5 °F)	65%
Self Discharge	Approximately 12% per month (25°C (77°F))	
Charging Methods	Full Charge	Constant-Voltage Charge: Initial charging current: less than 1.65A Voltage: 7.20 V ~ 7.50 V at 25 °C (77 °F) Charging time: 16 ~24h Constant-Current Charge: Charging current: 0.55A, when charging voltage up to 7.80V, continue to charge 2h.
	Floating Charge	No limit on Initial charging current Voltage: 6.75V ~ 6.90 V at 25 °C (77 °F)