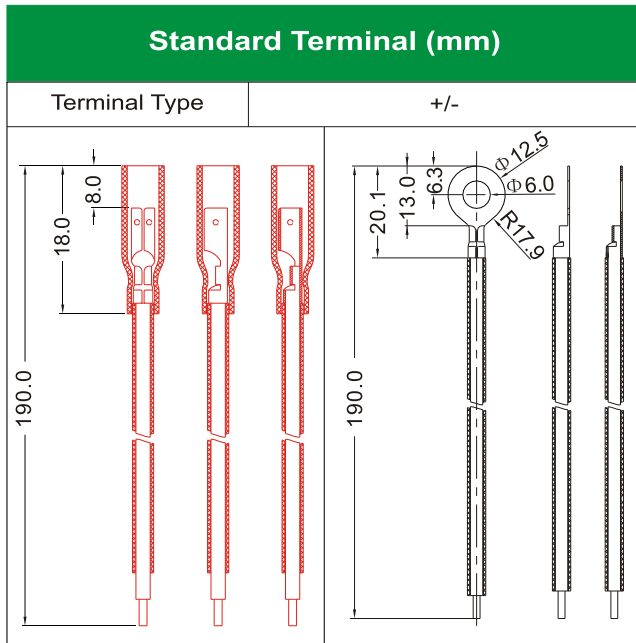
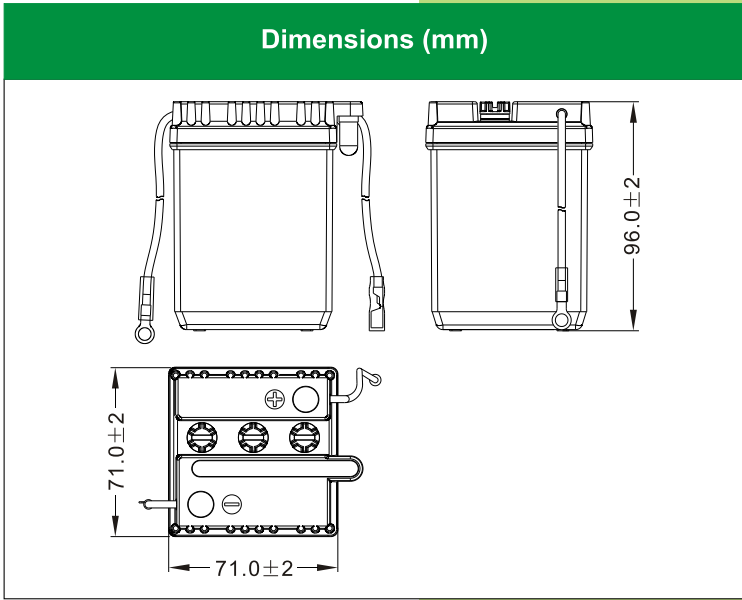


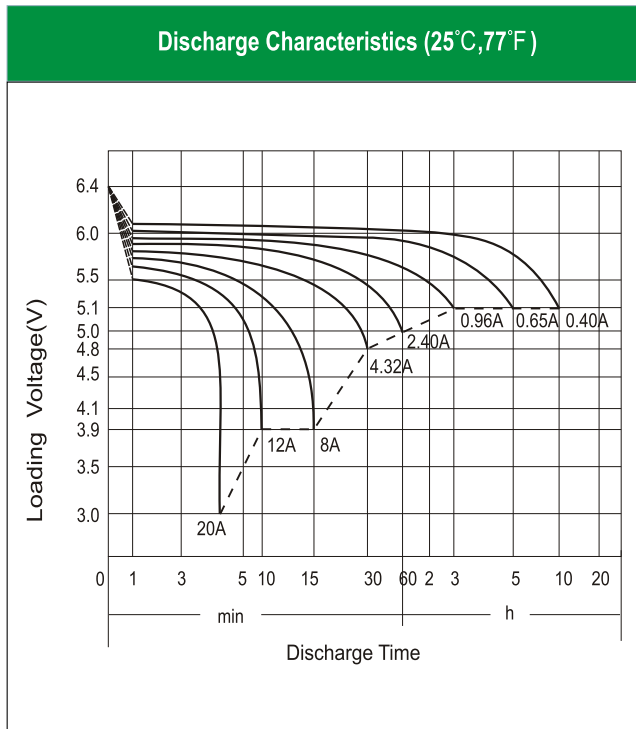
# 6N4-2A-2 [6V4Ah]



### Physical Specification

|                         |   |                        |
|-------------------------|---|------------------------|
| Nominal Voltage         | 6V  |                        |
| Nominal Capacity (10HR) | 4AH   |                        |
| Dimension               | Length                                      | 71 ± 2mm (2.80 inches) |
|                         | Width                                       | 71 ± 2mm (2.80 inches) |
|                         | Container Height                            | 96 ± 2mm (3.78 inches) |
|                         | Total Height (with Terminal)                | 96 ± 2mm (3.78 inches) |
| Weight                  | Battery(with acid): Approx 0.87kg (1.92lbs) |                        |
|                         | Electrolyte: Approx 0.23kg (0.51lbs)        |                        |

- \* High performance and dry charged high quality and flooded battery
- \* Low maintenance
- \* Shipped without battery electrolyte pre-charged and ready to install
- \* Replaces none battery



### Electrical Specification

|                                  |   |   |
|----------------------------------|---|---|
| Rated Capacity                   | 10 hour rate (0.40A)                      | 4.00AH  |
|                                  | 5 hour rate (0.65A)                       | 3.28AH  |
|                                  | 2 hour rate (1.40 A)                      | 2.80AH  |
|                                  | 1 hour rate (2.40 A)                      | 2.40AH  |
|                                  | 0.5 hour rate (4.32 A)                    | 2.16AH  |
| Capacity affected by Temperature | 40 °C (104 °F)                            | 106%  |
|                                  | 25 °C (77 °F)                             | 100%  |
|                                  | 0 °C (32 °F)                              | 86%   |
|                                  | -15 °C (5 °F)                             | 65%   |
| Self Discharge                   | Approximately 12% per month (25°C (77°F)) |   |
| Charging Methods                 | Full Charge                               | Constant-Voltage Charge:<br>Initial charging current: less than 1.2A<br>Voltage: 7.20 V ~ 7.50 V at 25 °C (77 °F)<br>Charging time: 16 ~24h |
|                                  |   | Constant-Current Charge:<br>Charging current: 0.4A, when charging voltage up to 7.80V, continue to charge 2h.                               |
|                                  | Floating Charge                           | No limit on Initial charging current<br>Voltage: 6.75V ~ 6.90 V at 25 °C (77 °F)  |