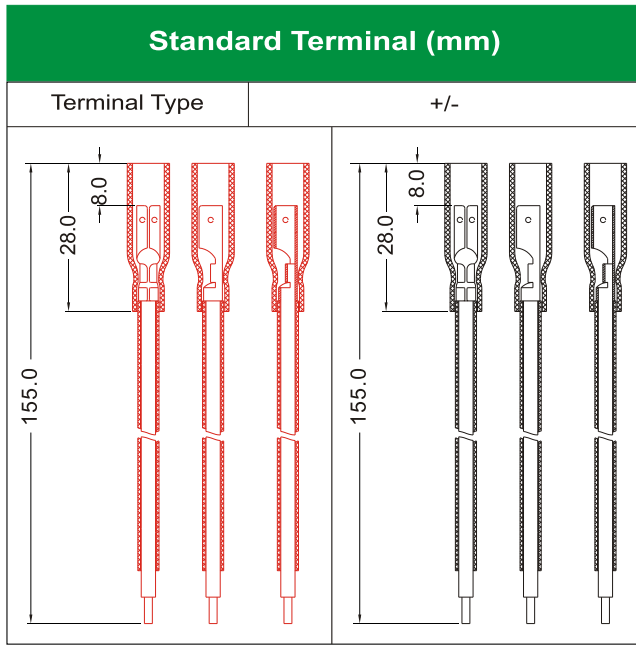
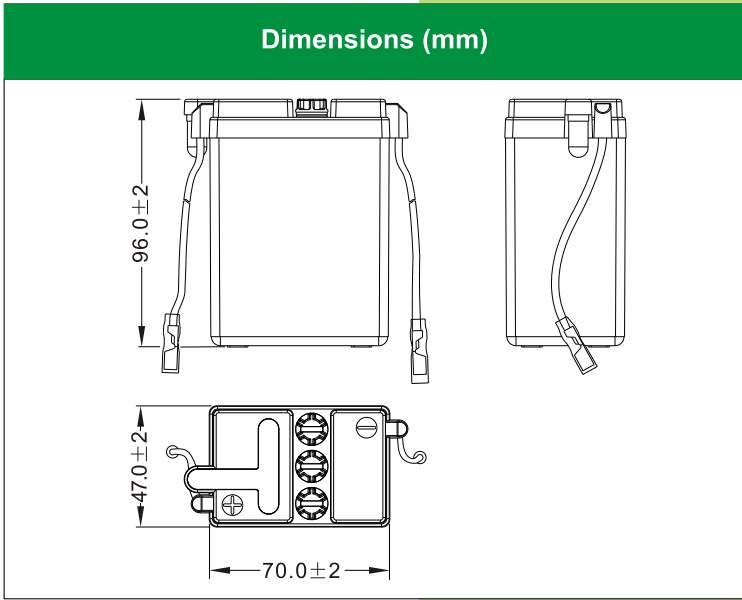


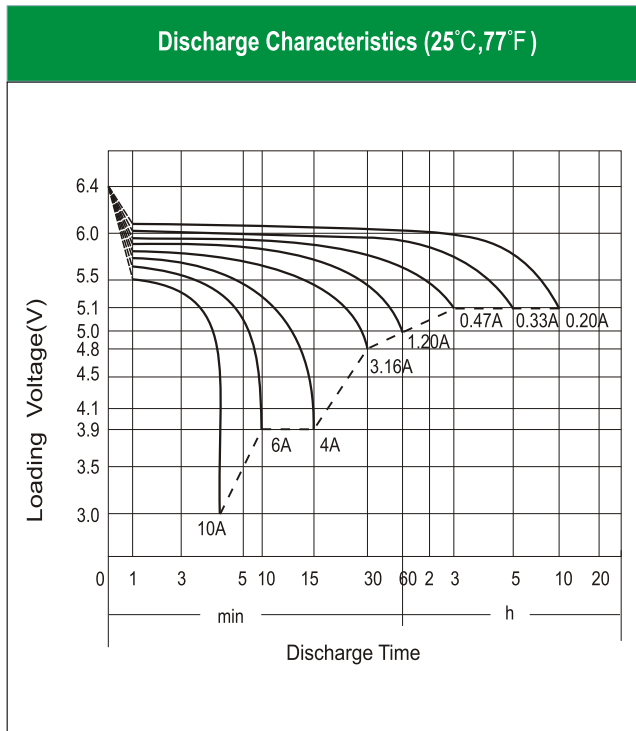
6N2-2A-7 [6V2Ah]



Physical Specification

| | | |
|-------------------------|---|------------------------|
| Nominal Voltage | 6V | |
| Nominal Capacity (10HR) | 2AH | |
| Dimension | Length | 70 ± 2mm (2.76 inches) |
| | Width | 47 ± 2mm (1.85 inches) |
| | Container Height | 96 ± 2mm (3.78 inches) |
| | Total Height (with Terminal) | 96 ± 2mm (3.78 inches) |
| Weight | Battery(with acid): Approx 0.58kg (1.29lbs) | |
| | Electrolyte: Approx 0.15kg (0.33lbs) | |

- * High performance and dry charged high quality and flooded battery
- * Low maintenance
- * Shipped without battery electrolyte pre-charged and ready to install
- * Replaces none battery



Electrical Specification

| | | |
|----------------------------------|---|--|
| Rated Capacity | 10 hour rate (0.20A) | 2.00AH |
| | 5 hour rate (0.33 A) | 1.64AH |
| | 2 hour rate (0.70 A) | 1.40AH |
| | 1 hour rate (1.20 A) | 1.20AH |
| | 0.5 hour rate (3.16 A) | 1.08AH |
| Capacity affected by Temperature | 40 °C (104 °F) | 106% |
| | 25 °C (77 °F) | 100% |
| | 0 °C (32 °F) | 86% |
| | -15 °C (5 °F) | 65% |
| Self Discharge | Approximately 12% per month (25°C (77°F)) | |
| Charging Methods | Full Charge | Constant-Voltage Charge: Initial charging current: less than 0.6A Voltage: 7.20 V ~ 7.50 V at 25 °C (77 °F) Charging time: 16 ~24h Constant-Current Charge: Charging current: 0.2A, when charging voltage up to 7.80V, continue to charge 2h. |
| | Floating Charge | No limit on Initial charging current Voltage: 6.75V ~ 6.90 V at 25 °C (77 °F) |