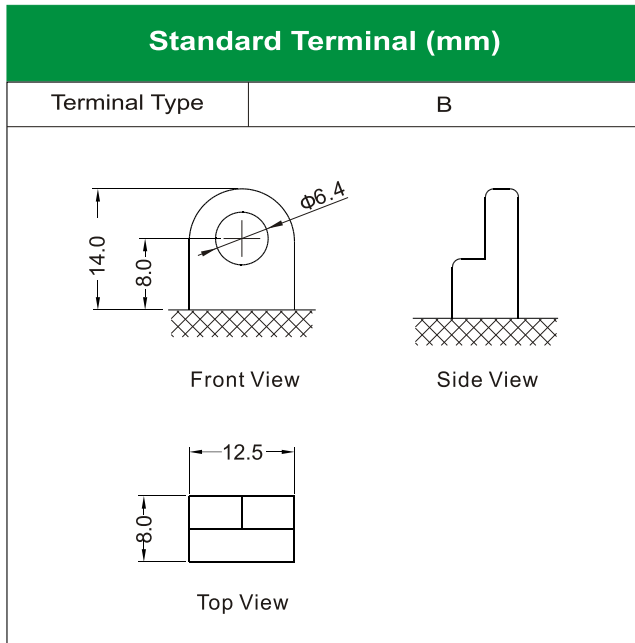
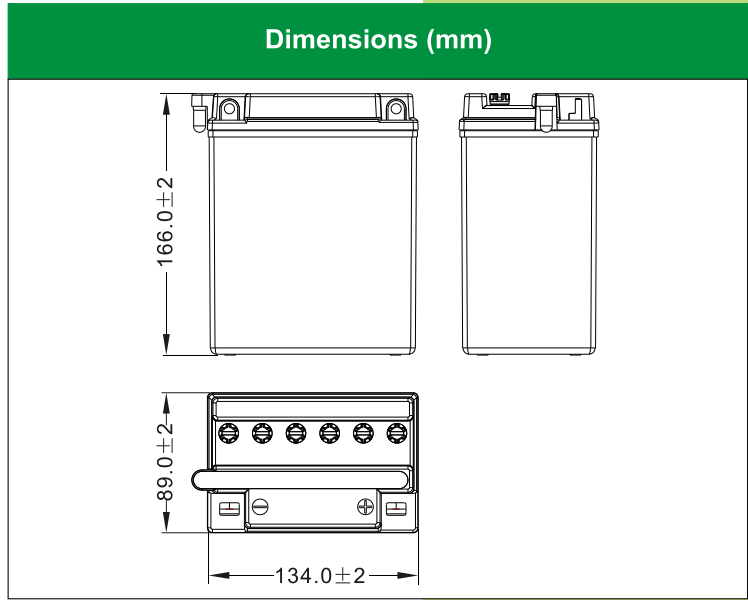
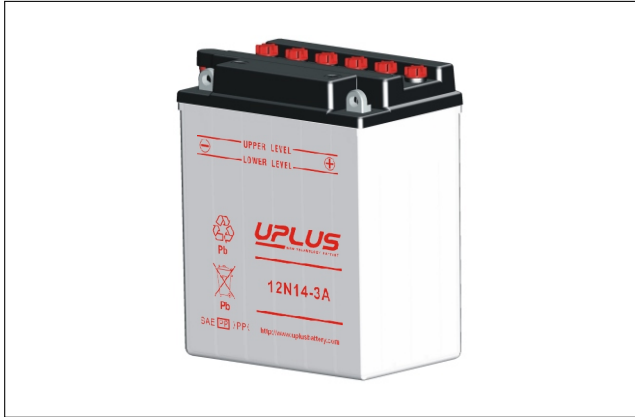


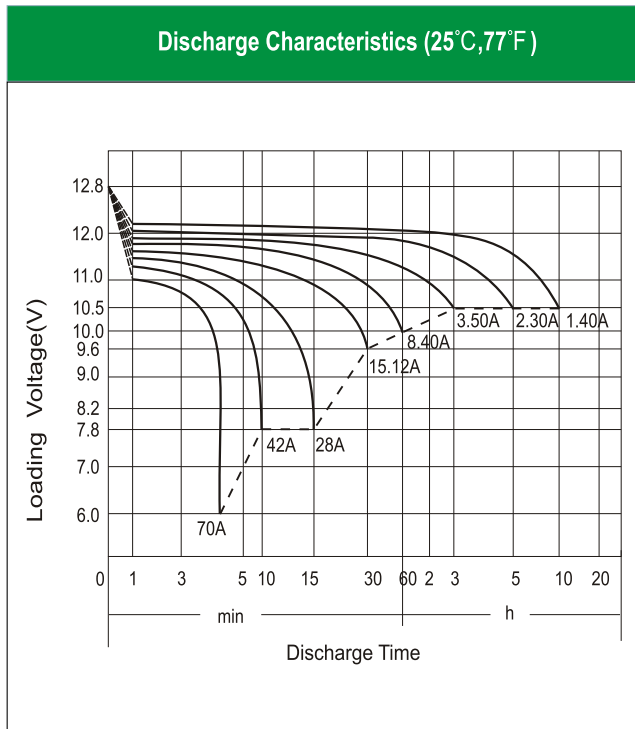
12N14-3A [12V14Ah]



Physical Specification

| | | |
|-------------------------|---|-------------------------|
| Nominal Voltage | 12V | |
| Nominal Capacity (10HR) | 14AH | |
| Dimension | Length | 134 ± 2mm (5.28 inches) |
| | Width | 89 ± 2mm (3.50 inches) |
| | Container Height | 166 ± 2mm (6.54 inches) |
| | Total Height (with Terminal) | 166 ± 2mm (6.54 inches) |
| Weight | Battery(with acid): Approx 4.23kg (9.31lbs) | |
| | Electrolyte: Approx 1.08kg (2.38lbs) | |

- * High performance and dry charged high quality and flooded battery
- * Low maintenance
- * Powerful 128 cold cranking amps
- * Shipped without battery electrolyte pre-charged and ready to install
- * Replaces none battery



Electrical Specification

| | | |
|----------------------------------|---|---|
| Rated Capacity | 10 hour rate (1.40A) | 14.00AH |
| | 5 hour rate (2.30 A) | 11.48AH |
| | 2 hour rate (4.90A) | 9.80AH |
| | 1 hour rate (8.40 A) | 8.40AH |
| | 0.5 hour rate (15.12 A) | 7.56AH |
| Capacity affected by Temperature | 40 °C (104 °F) | 106% |
| | 25 °C (77 °F) | 100% |
| | 0 °C (32 °F) | 86% |
| | -15 °C (5 °F) | 65% |
| Self Discharge | Approximately 12% per month (25°C (77°F)) | |
| Charging Methods | Full Charge | Constant-Voltage Charge: Initial charging current: less than 4.2A Voltage: 14.40 V ~ 15.00 V at 25 °C (77 °F) Charging time: 16 ~24h Constant-Current Charge: Charging current: 1.4A, when charging voltage up to 15.60V, continue to charge 2h. |
| | Floating Charge | No limit on Initial charging current Voltage: 13.50 V ~ 13.80 V at 25 °C (77 °F) |