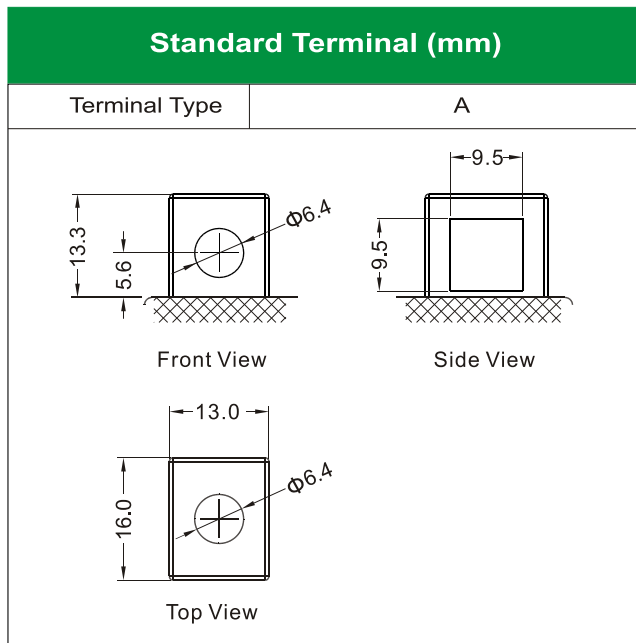
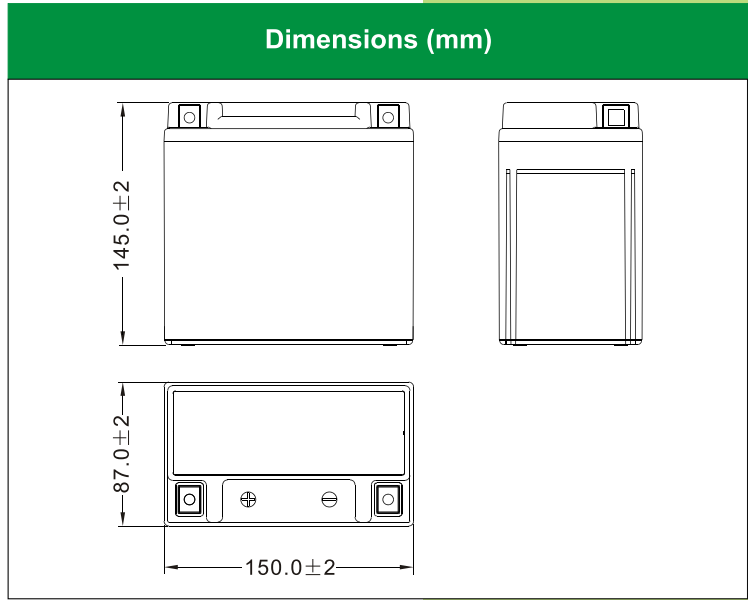


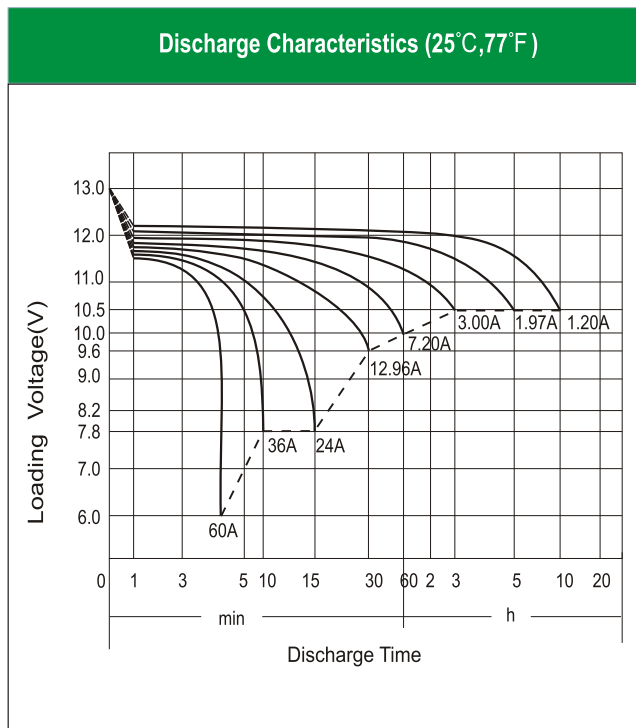
# HPG14-4 (12V12Ah)



### Physical Specification

|                         |   |                         |
|-------------------------|---|-------------------------|
| Nominal Voltage         | 12V   |                         |
| Nominal Capacity (10HR) | 12AH  |                         |
| Dimension               | Length                                      | 150 ± 2mm (5.91 inches) |
|                         | Width                                       | 87 ± 2mm (3.43 inches)  |
|                         | Container Height                            | 145 ± 2mm (5.71 inches) |
|                         | Total Height (with Terminal)                | 145 ± 2mm (5.71 inches) |
| Weight                  | Battery(with acid): Approx 4.44kg (9.78lbs) |                         |
|                         | Electrolyte: Approx 0.94kg (2.07lbs)        |                         |

- \* 100% leak-proof and spill-proof to 360°
- \* Totally Maintenance-free
- \* Longer lifespan
- \* Lower self discharge
- \* Powerful 200 cold cranking amps
- \* Shipped pre-charged and ready to install
- \* Replaces LT14-4 battery



### Electrical Specification

|                                  |  |   |
|----------------------------------|--|---|
| Rated Capacity                   | 10 hour rate (1.20 A)                    | 12.0AH  |
|                                  | 5 hour rate ( 1.97 A)                    | 9.84AH  |
|                                  | 2 hour rate (4.20 A)                     | 8.40AH  |
|                                  | 1 hour rate (7.20 A)                     | 7.20AH  |
|                                  | 0.5 hour rate (12.96 A)                  | 6.48AH  |
| Capacity affected by Temperature | 40 °C (104 °F)                           | 106%  |
|                                  | 25 °C (77 °F)                            | 100%  |
|                                  | 0 °C (32 °F)                             | 86%   |
|                                  | -15 °C (5 °F)                            | 65%   |
| Self Discharge                   | Approximately 2% per month (25°C (77°F)) |   |
| Charging Methods                 | Full Charge                              | Constant-Voltage Charge:<br>Initial charging current: less than 3.6A<br>Voltage: 14.40 V ~ 15.00 V at 25 °C (77 °F)<br>Charging time: 15 ~18h<br>Constant-Current Charge:<br>Charging current: 0.1C <sub>10</sub> =1.20A, when charging voltage up to 14.40V, continue to charge 4h |
|                                  | Floating Charge                          | No limit on Initial charging current<br>Voltage: 13.50 V ~ 13.80 V at 25 °C (77 °F)   |