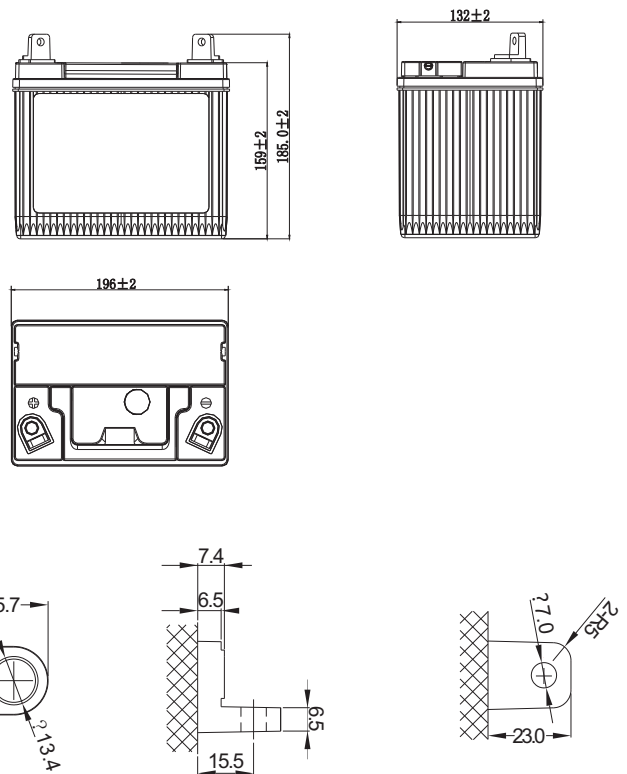


Physical Specification (mm)

Nominal Voltage		12V
Nominal Capacity(20HR)		32Ah
Dimension	Length	196±2mm(7.72inches)
	Width	132±2mm(5.20inches)
	Container Height	159±2mm(6.26inches)
	Total Height(with Terminal)	185±2mm(7.28inches)
Weight With Acid		Approx 8.7Kg(19.2lbs)
Acid		1.280±0.015g/cm ³ (25°C)
Standard Terminal		4
Cell layout		1
Hold-Down		B0
Case		Black-Material (PP)
Cover		Black-Material (PP)
Handle		Black-Material (PP)



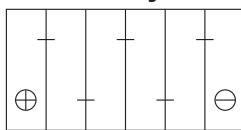
Dimensions (mm)



Electrical Specification

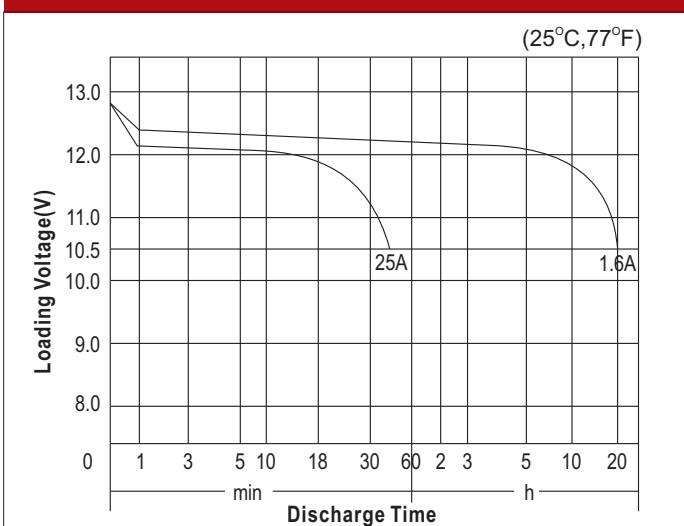
Rated Capacity	20 hour rate(1.6A)	32Ah
Reserve Capacity (RC)25A@10.5V		42min
Cold Cranking Performance Amps(CCA) @0°F(-18°C)		310A(BCI)

Cell Layout



Figure(1)

Discharge Characteristics



Discharge Characteristics

