

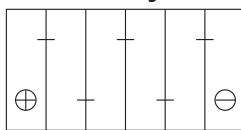
### Physical Specification (mm)

Nominal Voltage		12V
Nominal Capacity(20HR)		24Ah
Dimension	Length	196±2mm(7.72inches)
	Width	132±2mm(5.20inches)
	Container Height	159±2mm(6.26inches)
	Total Height(with Terminal)	185±2mm(7.28inches)
Weight With Acid		Approx 7.9Kg(17.4lbs)
Acid		1.280±0.015g/cm <sup>3</sup> (25°C)
Standard Terminal		4
Cell layout		1
Hold-Down		B0
Case		Black-Material (PP)
Cover		Black-Material (PP)
Handle		Black-Material (PP)

### Electrical Specification

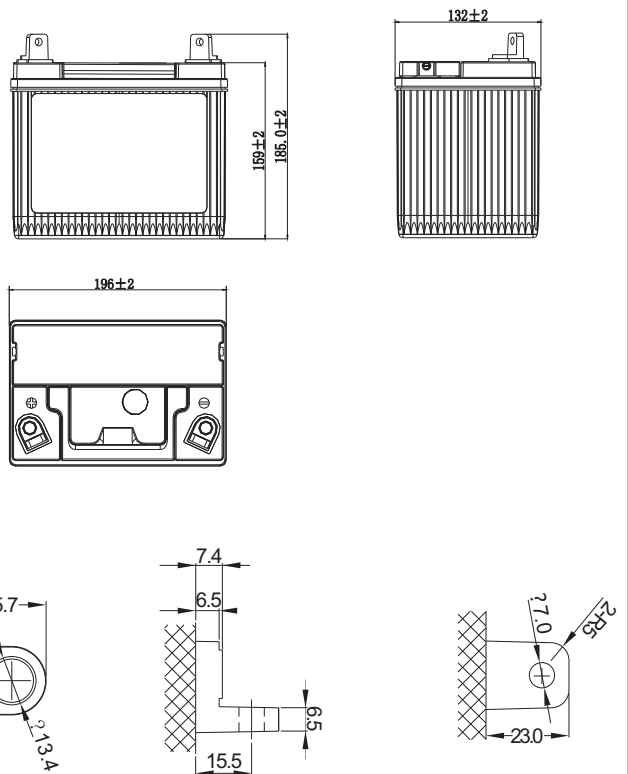
Rated Capacity	20 hour rate(1.2A)	24Ah
Reserve Capacity (RC)25A@10.5V		33min
Cold Cranking Performance Amps(CCA) @0°F(-18°C)		250A(BCI)

### Cell Layout

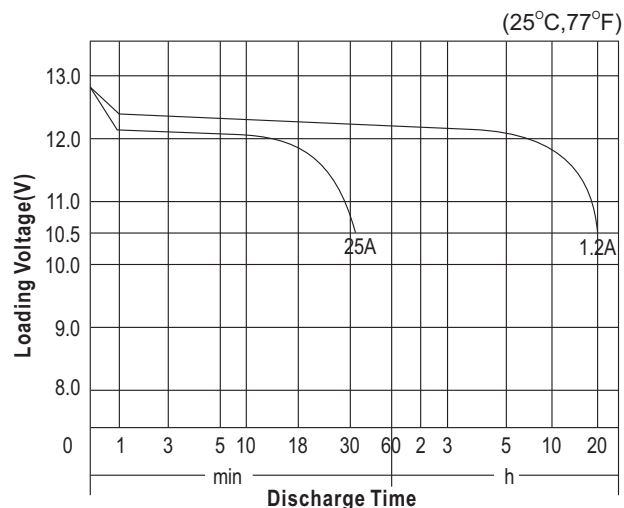


Figure(1)

### Dimensions (mm)



### Discharge Characteristics



### Discharge Characteristics

