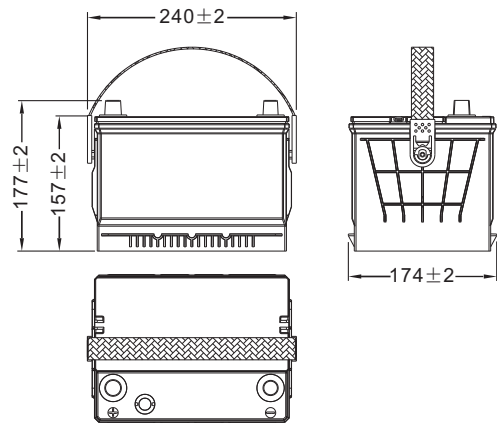


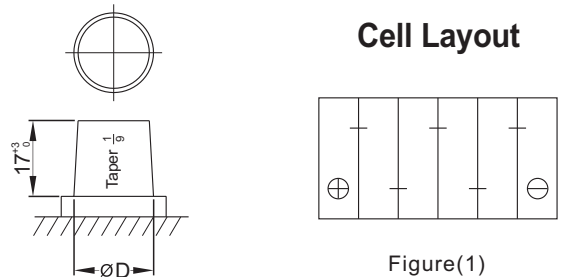
Physical Specification (mm)

Nominal Voltage		12V
Nominal Capacity(20HR)		50Ah
Dimension	Length	240±2mm(9.45inches)
	Width	174±2mm(6.85inches)
	Container Height	157±2mm(6.18inches)
	Total Height(with Terminal)	177±2mm(6.97inches)
Weight With Acid		Approx 13.1Kg(28.8lbs)
Acid		1.280±0.015g/cm ³ (25°C)
Standard Terminal		1
Cell layout		1
Hold-Down		B1
Case		Black-Material (PP)
Cover		Black-Material (PP)
Handle		Black-Material (Nylon)

Dimensions (mm)



Cell Layout



Figure(1)

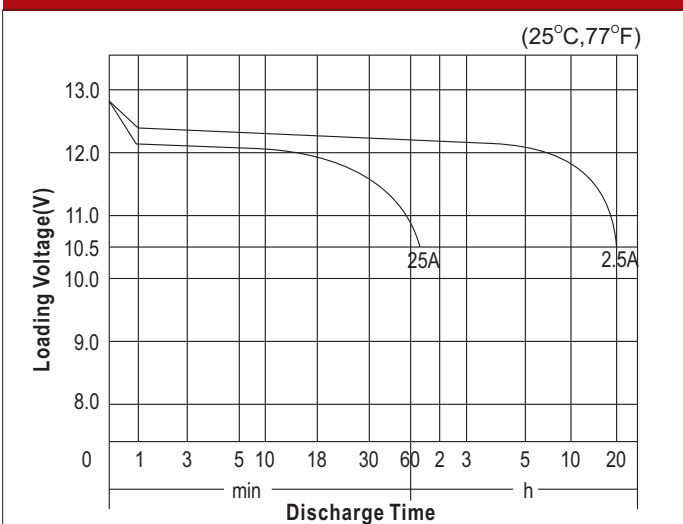
Electrical Specification

Rated Capacity	20 hour rate(2.5A)	50Ah
Reserve Capacity (RC)25A@10.5V		79min
Cold Cranking Performance Amps(CCA) @0°F(-18°C)		500A(BCI)

Standard Terminal (mm)

Terminal Type	D	
	Positive	Negative
1	19.5 ⁰ _{-0.3}	17.9 ⁰ _{-0.3}

Discharge Characteristics



Discharge Characteristics

